

Vertical Mast

UpRight
POWERED ACCESS



- 5.7m max. working height
- Ultra-compact design
- Drives through standard doorway or narrow aisles
- 227kg platform capacity
- Transportable in most passenger elevators
- Step-on / step-off platform
- Non-marking tyres

TM12

TM12 vertical mast specifications

TM12 VERTICAL MAST

| | |
|--|--|
| max. working height A | 5.7m |
| max. platform height B | 3.7m |
| max. drive height | 3.7m |
| platform capacity (SWL) | 227kg |
| platform size (inside) | 0.74m x 1.04m |
| width C | 0.76m |
| stowed height D | 1.7m |
| stowed length E | 1.36m |
| gross weight | 776kg |
| drive speed - max. with platform raised | 3.65km/h 1.0km/h |
| gradeability | 14°/25% |
| inside turning radius | 0.37m |
| ground clearance | 76mm |
| lift speed - raise/lower | 18 seconds/25 seconds |
| drive system | dual front hydraulic motors |
| tyres | 305mm dia. solid rubber, non-marking |
| battery charger | 90V - 240V - 25 amp automatic |
| parking brake | 2 wheel, spring-applied, hydraulically-released with manual overdrive |
| control system | one-hand proportional controls |
| power source | 24V 4hp DC electric motor 4-220 Ah batteries |

Specifications subject to change without notice. Photos and diagrams in this brochure are for promotional purposes only. Refer to appropriate UpRight operators manual for detailed instructions on the proper use and maintenance.

The UpRight TM12 provides a safe, efficient means of working at height in restricted spaces typically encountered in offices, retail stores, hotels, public buildings or crowded industrial aisles. Its compact size also makes it ideal for applications such as stock picking and record storage retrieval. Operators simply step onto the platform, drive to the work location and elevate to the desired height. When the job is complete, the lift can be quickly lowered and returned to a convenient storage area.

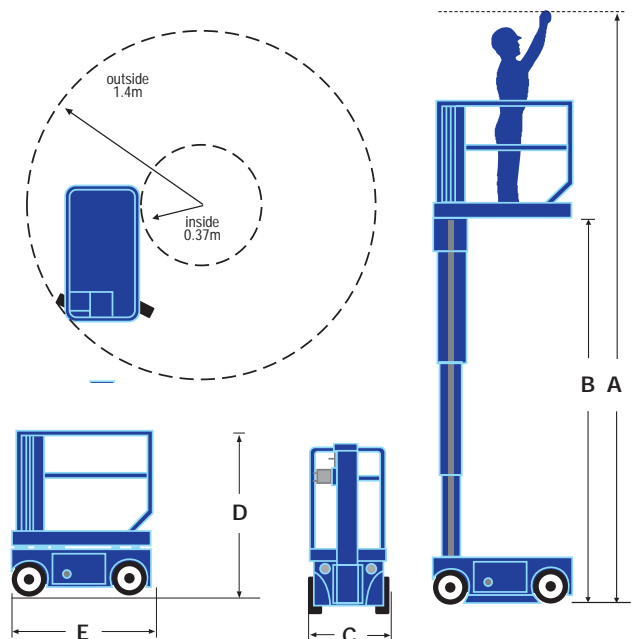


standard features

- Proportional controls
- Drives at full height
- 24V DC 4hp electric motor provides clean, pollution-free power for indoor use
- Descent and tilt alarms
- High amp hour rating gives long usage between charges
- 25 amp charger for easy overnight re-charging
- Emergency lowering at chassis controls
- Non-marking, solid rubber tyres
- Crane lift points
- Selectable motion alarm
- 1 year parts and labour warranty
- 5 year structural warranty

options

- Overload alarm
- Special paint colours
- Environmental green oil



Bp1 (A). TM12.06/07

UpRight
POWERED ACCESS

UpRight Powered Access Sales
Australia & New Zealand
32 Carter St, Homebush Bay, NSW, 2127.
Tel: 02 8737 9500 • Fax: 02 8737 9599

E-mail: info@upright-sales.com.au Web: www.upright-sales.com.au

www.upright.com

CE This product is available with the CE mark confirming compliance with all relevant European Machinery Directives

manufactured by
UpRight
POWERED ACCESS