



INSTANT SCAFFOLDS

ERECTION GUIDE for DOUBLE WIDTH TOWERS

DOUBLE WIDTH (D/W) TOWERS

The D/W range of towers, so called because two platforms can be located side by side at any one level, is ideal for most internal-external building maintenance.

The D/W range has been specifically designed and manufactured to meet the needs of the 'finishing' trades, where mobility, fast assembly and lightness are important.

SEE REVERSE SIDE FOR ERECTION DETAILS

HORIZONTAL BRACE
(Yellow hooks) use as hand rail and mid-rail where required.

GUARD RAIL FRAME

TOEBOARD
WHERE REQUIRED

PLATFORMS (2)

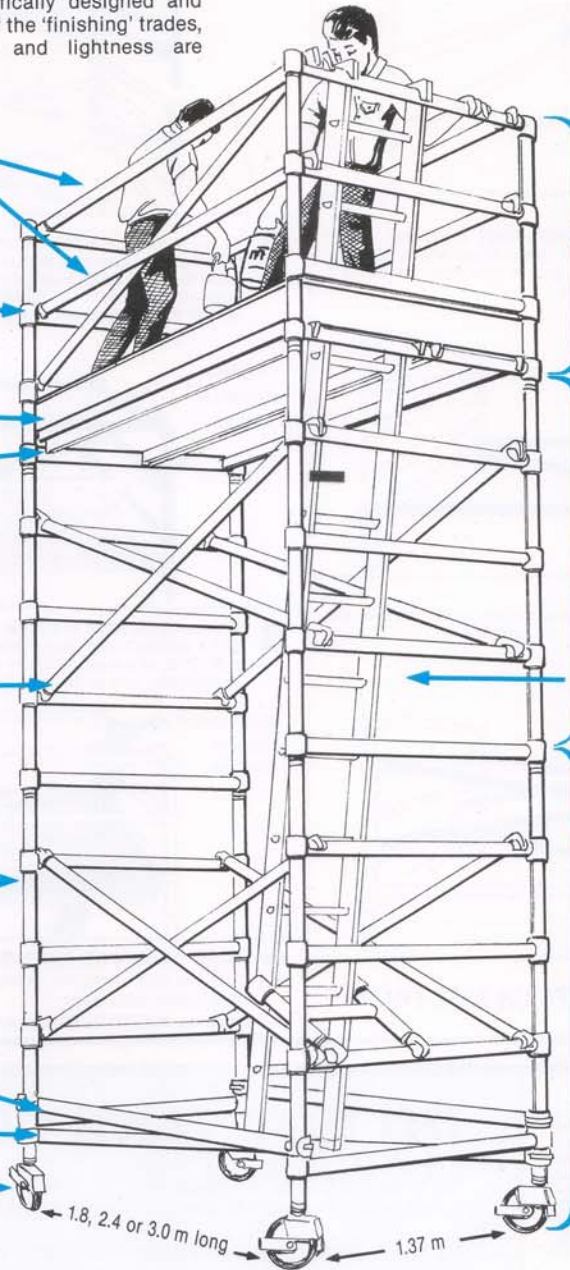
DIAGONAL BRACES

BASE FRAME
2 m high (complete with adjustable legs and castor wheels).

HORIZONTAL BRACE
(Yellow hooks).

PLAN BRACE
(Black hooks).

125 mm CASTOR WHEEL
and
ADJUSTABLE LEG



GUARD RAIL EXTENSION
= 2 FRAMES
4 HORIZONTAL BRACES
1 DIAGONAL BRACE

1 WALKTHROUGH PLATFORM
1 PLAIN PLATFORM
1 TOEBOARD (OR MIDRAILS)

1.6 m EXTENSION UNIT
= 2 FRAMES
4 DIAGONAL BRACES

1 LADDER

BASE UNIT
= 2 FRAMES
(adjustable legs and castor wheels).
4 DIAGONAL BRACES
2 HORIZONTAL BRACES
PLAN BRACE(S)

SPECIFICATIONS

| | |
|---------------------------|---|
| Safe working load | : 2 men plus 25 Kg materials. Total 225 Kg (Maximum S.W.L. 450 Kg per tower if two levels are used, i.e. 225 Kg per level, where approved). |
| Width | : 1.37 m |
| Length | : 1.8 m, 2.4 m, 3.0 m |
| Frame heights | |
| Base frame (with castors) | : 2.0 m to 2.2 m |
| Standard/Extension frame | : 1.6 m (4 rungs) |
| Guardrail frame | : 1.1 m |
| Max. platform height | : 4.0 m free standing : 9.0 m with outriggers or truss base frame. |
| Max. working height | : 5.8 m free standing : 10.8 m with outriggers or truss base frame. |

STANDARD OPTIONS:
EXTENSION FRAMES — 2.0 m, 1.6 m, 1.2 m
0.8 m or 0.4 m high.
OUTRIGGERS and TIES
200 mm CASTOR WHEELS (with Polyurethane Tyres)
SWIVEL BASE PLATES

NOTE: The tower illustrated may be used higher than stated if tied-in to a stable structure in an approved manner.

Specifications vary in different States. To ensure departmental and health and safety compliance please check with your local Instant Scaffolds representative.

Licensed Scaffolders must be used to erect towers above a stated height. This height varies from State to State. Please check your local regulations if in doubt.

FOR SERVICE:
PERTH OFFICE
42 GOODWOOD PDE
BURSWOOD. 6100
Tel: 08 94727600
Fax: 08 94727611.

WARNING:
ANY SCAFFOLD OVER 4 METRES IN HEIGHT IS ONLY TO BE ERECTED / ALTERED / DISMANTLED BY A CERTIFICATED SCAFFOLDER, FAILURE TO ADHERE TO THIS NATIONAL RULE COULD RESULT IN PROSECUTION.
ENSURE SCAFFOLD IS TAGGED AS SAFE TO USE UNPON COMPLETION OF ERECTION PROCEDURES.

SCAFFOLDS CAN BE DANGEROUS AND IF THEY ARE NOT ERECTED / ALTERED / DISMANTLED CORRECTLY COULD RESULT IN SERIOUS INJURY. ENSURE ALL ON SITE HAZARD RISK ASSESSMENTS HAVE BEEN CARRIED OUT.

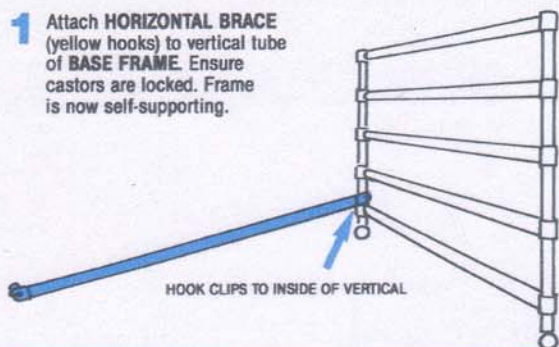


INSTANT SCAFFOLDS

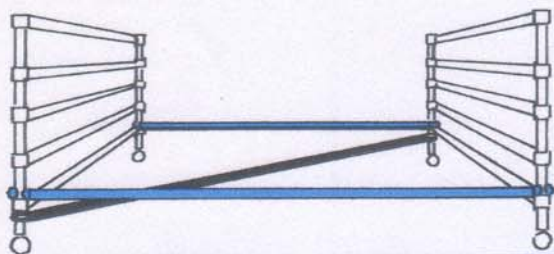
ERECTION GUIDE

DOUBLE WIDTH (D/W) TOWERS

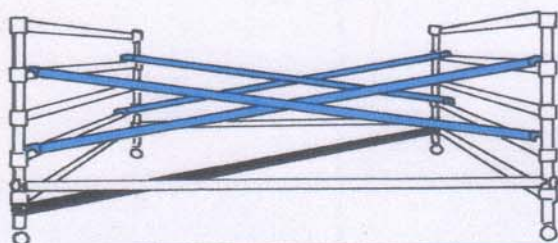
- 1** Attach **HORIZONTAL BRACE** (yellow hooks) to vertical tube of **BASE FRAME**. Ensure castors are locked. Frame is now self-supporting.



- 2** Attach spare end of brace to end of other **BASE FRAME**. Attach 2nd **HORIZONTAL BRACE** (yellow hooks) to other side of frame. Attach **PLAN BRACE(S)** (black hooks) diagonally onto the vertical tube below the lowest base frame rung, or as low down as possible.

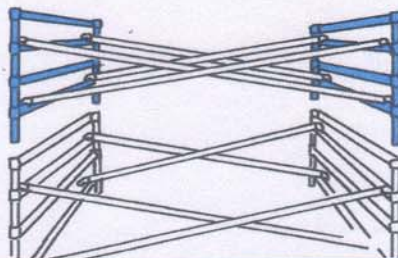


- 3** Attach four **DIAGONAL BRACES** to the base of the unit as shown. Level the unit using the adjustable legs. The base is now complete.



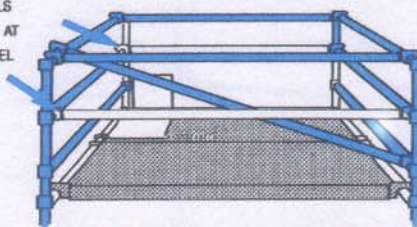
BEFORE USE, PLEASE READ RULES ON BASE FRAME

- 4** Additional extensions. (After the use of one 1.6 m extension unit outriggers are required, where approved, unless tower is securely tied to a stable structure - Insert a **FRAME**, spigots first, into the top of the **BASE UNIT** and secure interlock clips, see drawing below. Attach four **DIAGONALS** to frames as shown.



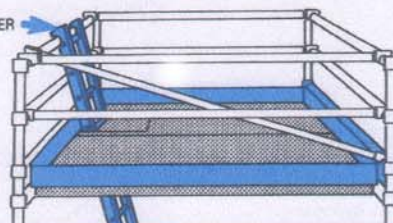
- 5** Fit the **PLAIN PLATFORM** first, then the **WALKTHROUGH PLATFORM** with the hinges of trapdoor to the outside of tower. Insert the **GUARD RAILS**, spigots first, into the top of the last frame and secure interlock clips. Attach two **HORIZONTAL BRACES** (yellow hooks) to top rung of **GUARD RAIL FRAME** and one **DIAGONAL BRACE** for rigidity as shown.

MID-RAILS ATTACHED AT THIS LEVEL



- 6** To complete the **WORK PLATFORM**, first fit the **TOEBOARD** to allow the trap-door on the platform to open freely. Finally attach the **LADDER** through the **ACCESS PLATFORM**, as shown, and clip on stand-off hooks, at base of ladder, to the corresponding rung on the frame. Ensure the access door movement is not impaired.

ATTACH LADDER HOOKS ON TOP RUNG

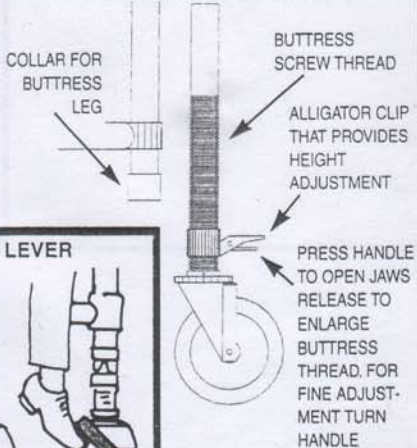


- 7** **LADDER 'CHANGE-OVER' PLATFORMS:** One **WALKTHROUGH PLATFORM** is required to enable safe ladder change-over on towers with more than one ladder. Attach platform before ladder. Ensure four **HORIZONTAL BRACES** are also attached as **GUARD RAILS** and **MID RAILS**.

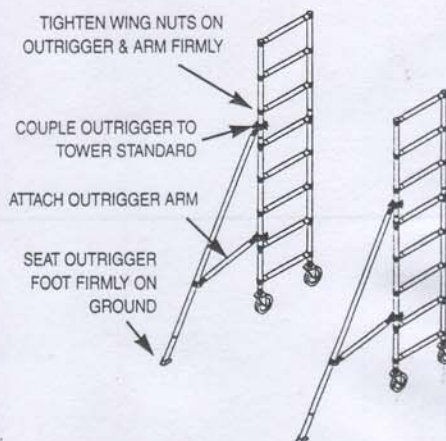
LEG ADJUSTMENT



BUTTRESS LEG ADJUSTMENT



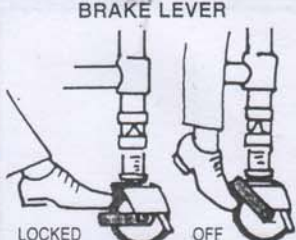
OUTRIGGERS (TYPICAL)



FRAME LOCK



BRAKE LEVER



NO-CLOG SNAP-ON HOOKS



If in doubt, phone your nearest **INSTANT** branch for advice — YOUR SAFETY MAY DEPEND ON IT!