



WATERIAL LIFTS



**WHEN YOU NEED A LIFT,
YOU KNOW IT MUST BE A GENIE.**

Genie sets the standard by which other lifts are judged. Simply put, we build a better lift for every job. Genie's full line of products offers you unmatched performance, safety and reliability. As a subsidiary of TEREX Corporation, we offer our customers easy access to a complete range of other products and services across the construction, mining, utility and road building industries.

With almost four decades of experience, Genie provides you with the most advanced lifting equipment in the industry.

The company began in 1966 with the introduction of the Genie Hoist, a portable, pneumatic material lift. Additional lifts and aerial work platforms followed, gaining worldwide recognition with breakthrough designs. Today, Genie remains at the forefront of lifting technology with a commitment to quality production.

Finding new and innovative ways to help you get the job done.

Our efforts to produce better products and harness new technology have earned numerous patents worldwide. Our quality-driven, professional team of engineers continually focus on understanding how our equipment is used so they can design products to meet and exceed your ever-changing needs.

Our team is always working for you. The Genie Service Team is available around the clock providing support when you need it most, which means more "Up Time" for you, our customer. Genie customers also have access to an ever-increasing range of services from financial funding through TEREX Financial Services (TFS) to an aggressive parts support network that ships parts within 24 hours.

The highest quality standards mean you receive the highest quality products. We set stringent quality standards for each step of the manufacturing process, from design to distribution. Performance is regularly monitored against these standards to ensure superior products. Our goal is to deliver the highest quality products.



Genie.
A TEREX COMPANY



HIGHER STANDARDS



INDUSTRY-LEADING DESIGN AND PERFORMANCE

Genie is the world leader in lifts, smart blue lifts to be exact. Genie manufactures the most advanced, highest-valued lift equipment in the industry.

Genie material lifts are designed and built to provide our customers with products that will add value to their workplace. Sound, innovative designs offer workers tools that provide increased safety, flexibility and productivity on the job.

All our material lifts can easily be operated and transported to the worksite. The products are extremely versatile – you can move, position or hold both light and heavy loads in a virtually unlimited number of applications.

A SOLUTION FOR ANY SITUATION

Get a helping hand from Genie's Portable Material Lifts. Sturdy construction and reliable performance make these lifts favorites on a wide variety of job sites. These lightweight, low cost, portable units are ideal for almost any lifting, moving or positioning application. The options and accessories available make them extremely adaptable for a large variety of multi-purpose uses.



SUPER HOIST | 3.8, 5.6

LIFTING HEIGHT	12 ft 5.625 in or 18 ft 4.5 in 3.8 m or 5.6 m
LIFT CAPACITY*	250 or 300 lbs 113 or 136 kg
WEIGHT	64 or 69 lbs 29 or 31 kg

The Genie Super Hoist™ portable telescoping pneumatic hoist uses compressed air to lift up to 300 lbs (136 kg) up to a height of 18 ft 4.5 in (5.6 m).

*Lift capacity varies depending on load center.
**Weight varies depending on model and caster options.



LOAD LIFTER

LIFTING HEIGHT	5 ft 7 in 1.7 m
LIFT CAPACITY	200 lbs 91 kg
WEIGHT	45 lbs 20 kg

The Genie Load Lifter™ lifts up to 200 lbs to a height of 5 ft 7 in (1.7 m). Stores easily with dimensions of 45 x 15 x 20.5 in (1.1 m x 38 cm x 52 cm).



GENIE LIFT | 4, 8, 10, 12

LIFTING HEIGHT (forks up)	5 ft 11 in – 13 ft 9.5 in 1.8 m – 4.2 m
LIFT CAPACITY*	350 – 500 lbs 159 – 227 kg
WEIGHT**	113 – 415 lbs 51 – 188 kg

The Genie Lift™ lifts up to 500 lbs (227 kg) to heights of up to 13 ft 9.5 in (4.2 m). Customize the GL for your job with three bases, various load handling attachments and optional tires and ladders.



SUPERLIFT CONTRACTOR | 12, 18, 24

LIFTING HEIGHT 12 ft 11 in – 24 ft
(forks up) 3.9 m – 7.3 m

LIFT CAPACITY* 650 lbs
295 kg

WEIGHT 374 lbs
170 kg

The Genie Superlift™ Contractor lifts up to 650 lbs (295 kg) to heights up to 24 ft (7.3 m). Designed specifically for the construction industry, the SLC offers extreme durability and easy transport.



SUPERLIFT ADVANTAGE | 5, 10, 15, 20, 25

LIFTING HEIGHT 6 ft 7 in – 26 ft .5 in
(forks up) 2.0 – 7.9 m

LIFT CAPACITY* 650 – 1000 lbs
295 – 454 kg

WEIGHT** 215 – 450 lbs
98 – 204 kg

The Genie Superlift™ Advantage is a manually operated material lift with multiple base, winch and load handling options to create just the lift you need. The SLA lifts up to 1000 lbs of material (454 kg) and can lift to heights of up to 26 ft .5 in (7.9 m).



SUPER TOWER | 20, 25

LIFTING HEIGHT 21 ft 2.5 in – 26 ft .5 in
(forks up) 6.5 m – 7.9 m

LIFT CAPACITY* 650 – 800 lbs
295 – 363 kg

WEIGHT 446 – 490 lbs
202 – 222 kg

The Genie Super Tower™ telescopes theatrical lighting and scenery weighing up to 800 lbs (363 kg) and can lift to heights up to 26 ft .5 in (7.9 m). Standard flat black anodized finish lets the ST blend in backstage.

UNMATCHED PORTABILITY

SUPER HOIST™

The ultimate, easy-to-use tool that allows an individual to lift heavy loads into place for installation. The Super Hoist™ is so compact, it can be transported in the trunk of most cars.



STANDARD FEATURES

Setup in seconds. Legs fold out from the base. No special tools are required.

When not in use, the hose stores around brackets underneath the platform.

Safety lock mechanism keeps each leg "up" for storage and "out" for use.

Casters lock in place with just a touch.

Powered by either CO₂ or compressed air. The "one size fits all" bottle mounting bracket accepts any common bottle size.

The up and down functions, including the dump valve, can all be activated from the patented control handle.

An oil reservoir on top of each piston auto-lubricates each cylinder.

ACCESSORIES

Platform cradle package.

20 lbs (9 kg) CO₂ tank.



20
15
10
5



GH 3.8

12 ft 5.625 in 3.8 m

300 lbs 136 kg



GH 5.6

18 ft 4.5 in 5.6 m

250 lbs 113 kg

LIFTING HEIGHT

LIFTING CAPACITY

LOAD LIFTER™

The compact choice for handling repetitive light-duty lifting. The Load Lifter makes routine lifting easier and safer. Use it as a hand truck, forklift or dolly for versatility and value. One person can safely and easily move and position loads.

Portable Design

Folds for compact storage – no tools required. Loads easily into a pickup truck for transport.



Standard Features



PERFORMA NON-MARKING TIRES



STAIR GLIDES

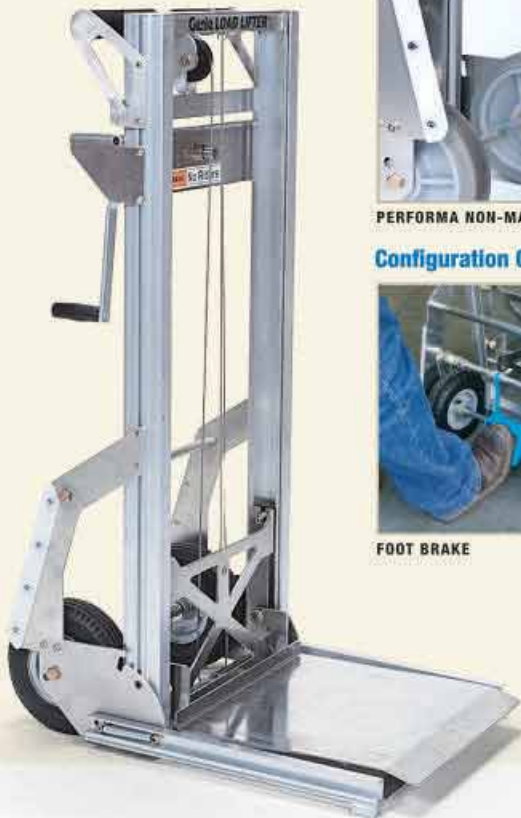
Configuration Options



FOOT BRAKE



FRONT-SWIVEL CASTERS



STANDARD FEATURES

200 lbs (91 kg) load capacity.

Lift material up to 5 ft 7 in (1.7 m)

Designed and constructed of durable yet lightweight aluminum.

Quiet high-speed reversible winch quickly lifts and lowers heavy loads.

High-strength aircraft-quality cable prevents corrosion and fraying.

Cushioned neoprene handgrip for easy handling.

Corrosion-resistant finish – won't rust.

Beveled aluminum platform for easy loading and unloading.

Performa 8 in (20.32 cm) non-marking rear wheels are standard.

Stair glides for easy handling on stairs.

OPTIONS

Field installable foot brakes.

Front-swivel, non-marking casters for easy maneuvering.

HELPING WITH ANY APPLICATION

GENIE LIFT™

The Genie Lift's design provides years of reliable service. It is easily loaded in any size pickup truck to go wherever you need a lift! With the three base models and many accessories to choose from, the Genie Lift is ideal for all your material handling needs.



LOAD PLATFORM



BOOM



ALUMINUM LADDER



PNEUMATIC WHEEL & FOOT BRAKE



STANDARD BASE
GL-4, GL-8

15
10
5



Model	Height (ft)	Height (m)	Capacity (lbs)	Capacity (kg)
GL-4	5 ft 11 in	1.8 m	500 lbs	227 kg
GL-8	10 ft 5 in	3.1 m	400 lbs	181 kg
GL-10	11 ft 8 in	3.6 m	350 lbs	159 kg
GL-12	13 ft 9.5 in	4.2 m	350 lbs	159 kg

Capacities listed are with a 14 in (36 cm) load center.

LIFTING HEIGHT
(Forks up)
LIFTING CAPACITY

OPTIONS

Standard & Straddle Base Options

Rugged 10 in (25.4 cm) pneumatic rear wheels and 2.5 in (6.35 cm) front-swivel casters.

Foot-release brake option for standard or pneumatic wheels.

Stair rollers for easy movement on stairways (standard base only).

Sturdy aluminum ladders (not available with electric winch option).

Straddle Base Caster Options

4 in (10.16 cm) rear-swivel with 2 in (5.08 cm) dual-wheel front-swivel casters.

5 in (12.7 cm) rear-swivel with side brakes and 4 point rotation locks and 2.5 in (6.35 cm) front-swivel casters.

Electric Winch Option

The electric winch option comes with the battery pack and an automatic charger that shuts itself off when fully charged. It is available with the standard base and counterweight base models. A caster option kit is required for use with straddle base model (factory-installed only).

ACCESSORIES

The load platform fits easily over forks for use when lifting odd shaped loads or to use as a portable work table.

The boom option turns your Genie Lift into a vertical crane or hoist.



STRADDLE BASE
GL-4, GL-8, GL-10,
GL-12



COUNTERWEIGHT BASE
GL-4, GL-8, G-10

STANDARD FEATURES

Standard Base Model

Compact design allows you to lift and maneuver in congested work areas. Great for general lifting and delivery of materials.

8 in (20.32 cm) non-marking rear wheels and 2 in (5.08 cm) dual-wheel, front-swivel casters are standard.

Low loading height.

Straddle Base Model

Adjustable base legs straddle loads or fixed objects up to 36 in (91.4 cm) wide. Ideal for lifting small pallets, appliances and other bulky objects.

Legs adjust from inside dimensions of 22 in (56 cm) to 36 in (91.4 cm).

8 in (20.32 cm) non-marking rear wheels and 2 in (5.08 cm) dual-wheel, front-swivel casters are standard.

Counterweight Base Model

Counterweight base provides short leg length, letting you get close to your load.

Excellent for accessing loads on counter-tops or shelves above fixed objects.

Designed for use on level surfaces.

5 in (12.7 cm) rear-swivel casters with side brakes and fixed 4 in (10.16 cm) front wheels are standard.

Additional Standard Features

Durable steel forks.

Winch can be used while ladder is in use or stowed.

Reversible winch handle for easy storage.

Loads into a pickup truck for transport.

Hold-down mechanism secures carriage during transport.

HEAVY-DUTY FROM A LIGHTWEIGHT

Load Handling Accessories



STANDARD FORKS



ADJUSTABLE FORKS



BOOM



Two-Speed Winch Option

Shift gears "on-the-fly" with our exclusive, constant mesh two-speed manual winch. Provides the ability to change gears without removing or re-attaching handles. No loose parts.



SUPERLIFT™ CONTRACTOR

The SLC is the ideal tool for construction firms and every kind of contractor. Your choice for industrial applications and HVAC installations. The SLC can be easily operated by one person and can safely lift, lower and move loads up to 650 lbs (272 kg). Choose from 6, 12, 18 or 24 ft models.



STANDARD FEATURES

Heavy-duty design, yet lightweight and portable.

Quick setup requires no tools.

Glide rails allow one person to easily load or unload and lift in or out of a pickup truck.

Rear transport wheel assembly.

4 in (10.16 cm) front casters and 5 in (12.7 cm) rear casters with side brakes are standard.

Hold-down bar secures mast assembly during transport.

OPTIONS & ACCESSORIES

Interchangeable load handling attachments include standard or adjustable forks and boom.

A load platform, fork extensions and pipe cradle can be added for additional flexibility.

Two-speed winch upgrade shifts gears "on-the-fly."

Captive Stabilizer Set with patented "locking system" provides additional lateral support for heavy loads (standard on SLC-18 and SLC-24).

Mast brake is optional on all units.

Fork & Base Accessories



CAPTIVE STABILIZERS



LOAD PLATFORM

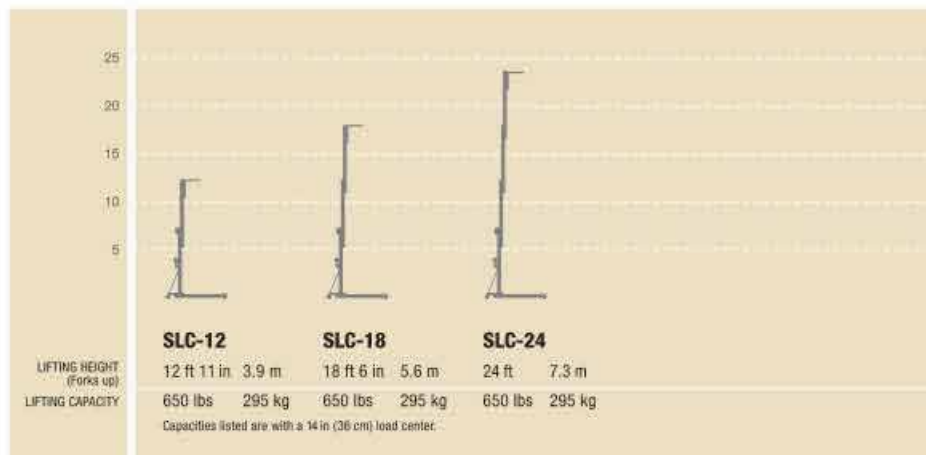
Standard Feature



PIPE CRADLE



REAR TRANSPORT WHEELS



HELPING YOU REACH NEW HEIGHTS

SUPERLIFT™ ADVANTAGE

The SLA offers a wide variety of options to configure the exact material lift for your worksite. This flexibility offers a sure pathway to greater productivity and more value for your money.



Load Handling Attachments



STANDARD FORKS



ADJUSTABLE FORKS



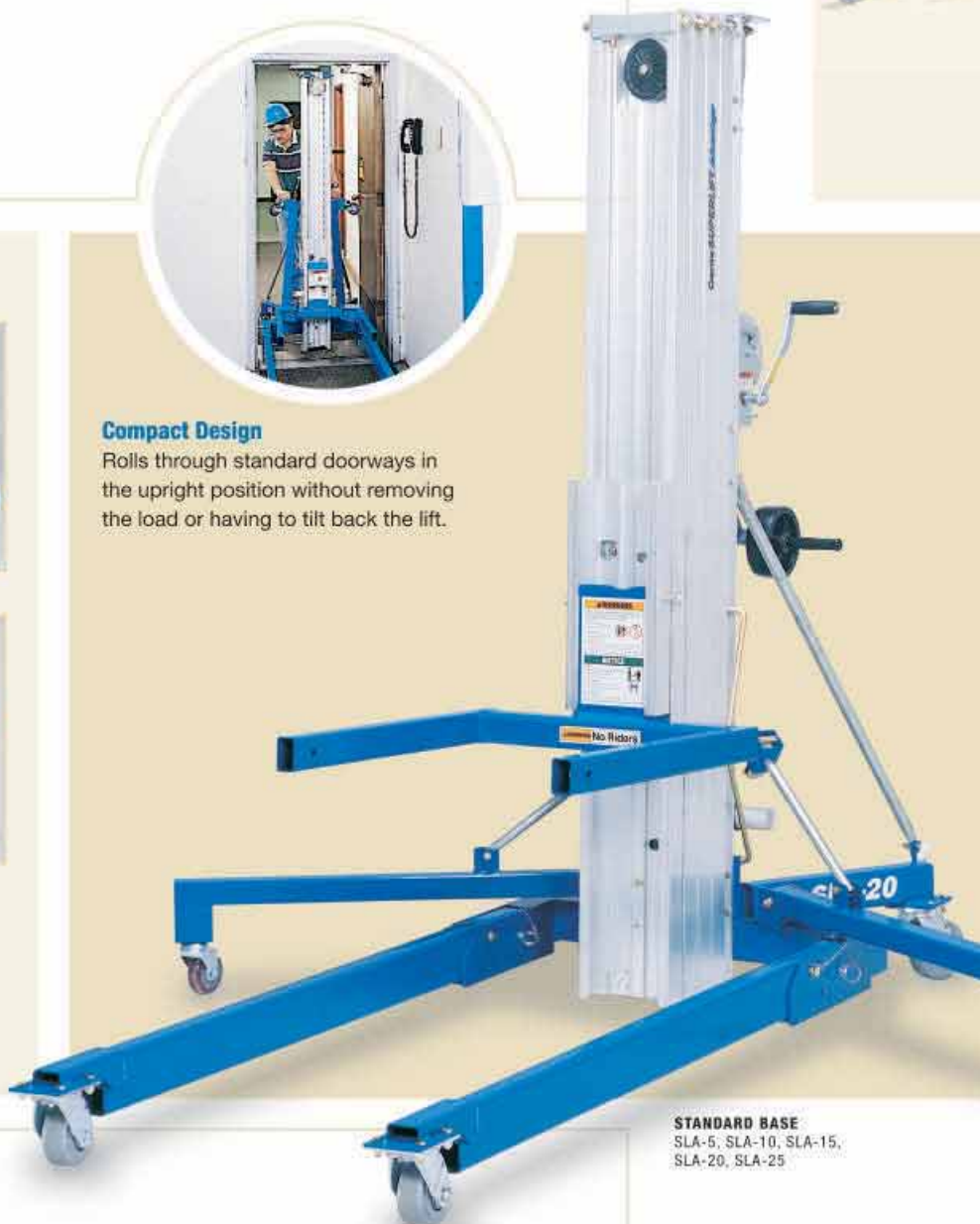
FLAT FORKS



BOOM

Compact Design

Rolls through standard doorways in the upright position without removing the load or having to tilt back the lift.



STANDARD BASE
SLA-5, SLA-10, SLA-15,
SLA-20, SLA-25

AVAILABLE BASES

Standard Base

The field-proven design ensures durability and dependability. The welded steel base provides extra support. Stabilizers are standard on 20 and 25 ft (6.1 and 7.6 m) models. There are no loose parts.

Straddle Base

The straddle base design is versatile and adjustable. It's easy to use and straddles loads from 22 to 50 in (56 to 127 cm) wide. It's perfect for wide loads and narrow doorways. Easily handles pallets up to 48 in (122 cm) wide. Flat forks permit ground level loading.



STRADDLE BASE
SLA-5, SLA-10, SLA-15



STANDARD FEATURES

Patented telescoping mast system with heavy-duty design for compactness, safety, strength and rigidity.

One-speed winch incorporates silent ratchet system.

Quick setup requires no tools and is ready to work in seconds.

Roller wheels on the base of each leg allow the unit to be easily moved and rolled through standard single doorways.

Legs folds up and attachments are removable for easy storage and loading.

Hold-down bar secures mast assembly during transport.

OPTIONS & ACCESSORIES

Interchangeable load handling attachments handle a large variety of workloads.

Two-speed winch upgrade shifts gears "on-the-fly." Provides ability to change gears without removing or re-attaching the handles.

Rear transport wheel assembly allows maneuverability on uneven surfaces.

Captive stabilizer with patented "locking system" provides additional lateral support for heavy loads (standard on SLA-20 and SLA-25).

Mast brake is optional on all units.

Fixed front caster option.

Fork & Base Accessories



CAPTIVE STABILIZERS



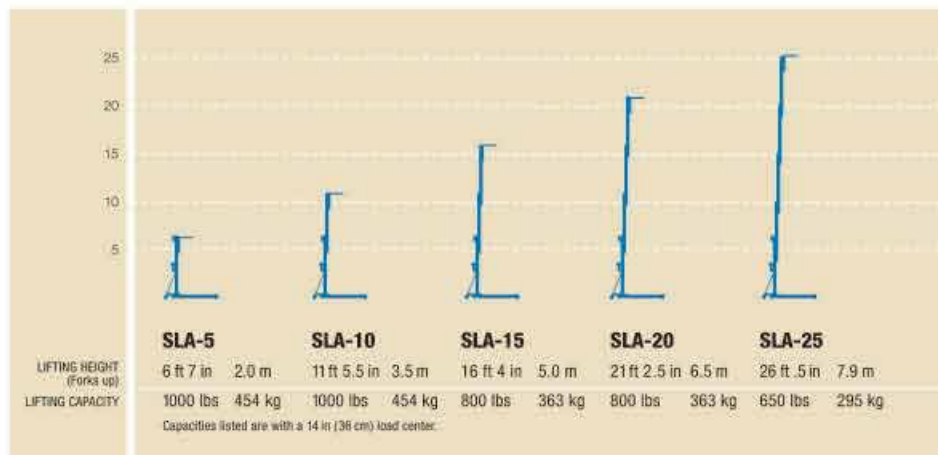
LOAD PLATFORM



REAR TRANSPORT WHEELS



PIPE CRADLE



THE ULTIMATE STAGE HAND

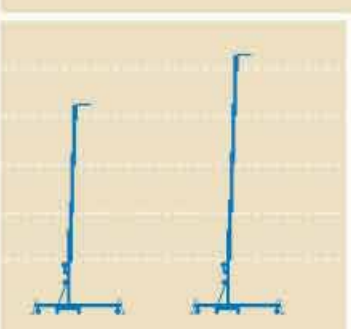


Easy to Transport

The compact stowed position makes the Super Tower easy to move through doors and load on trucks with no bulky base to get in the way.



25
20
15
10
5



	ST-20		ST-25	
LIFTING HEIGHT (Forks up)	21 ft 2.5 in	6.5 m	26 ft .5 in	7.9 m
LIFTING CAPACITY	800 lbs	363 kg	650 lbs	295 kg

Capacities listed are with a 14 in (36 cm) load center.

LIFTING HEIGHT
(Forks up)
LIFTING CAPACITY

SUPER TOWER™

The ideal choice for lifting and supporting lighting systems, sound systems and stage scenery. The flat black anodized finish on the Super Tower™ makes it nearly invisible to audiences. It is the industry standard for flawless theatrical productions and entertainment events.



LOAD PLATFORM



TWO-SPEED WINCH



STANDARD FEATURES

Can be used as a single unit, or two or more can be used together to support trusses to span a stage.

Setup is easy. Just install the outriggers, and set the leveling jacks.

To ensure load stability, the hand winch locks the load in place when the handle is released.

It comes standard with a flat black anodized finish so that the unit is nearly invisible to audiences.

Perfect for heavy lighting systems.

Stowed dimensions are 22 in (56 cm) by 25.25 in (64 cm).

In the stowed position, the Super Tower is easy to transport – with no bulky base to get in the way.

Mast brake is standard on all units.

OPTIONS

Two-speed winch provides the ability to shift gears during operation.

ACCESSORIES

Load platform fits over standard forks with no tools required. It's perfect for heavy objects.

Fork extensions insert onto standard forks for additional length.

